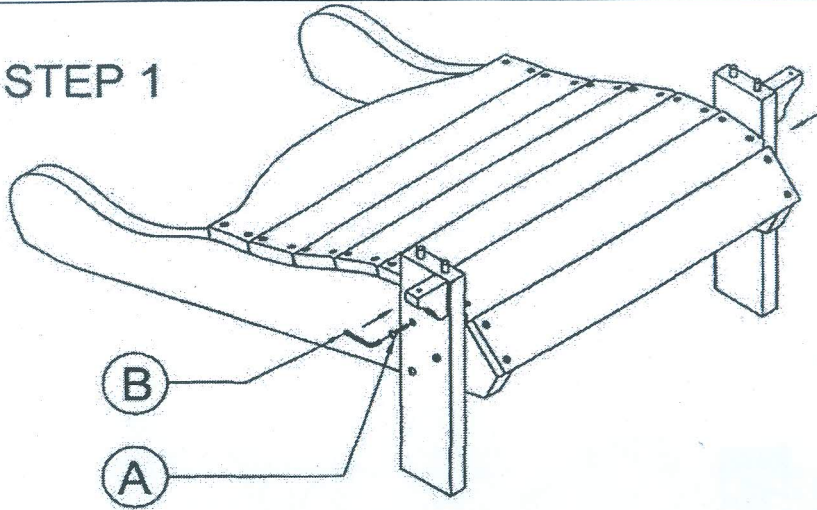
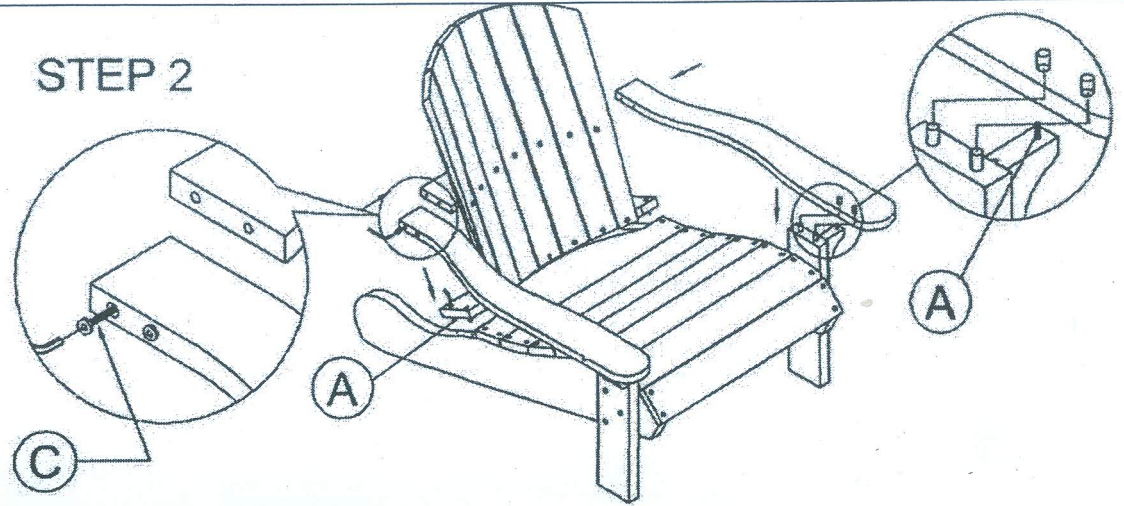


ASSEMBLY INSTRUCTIONS FOR #CD3111 (ADIRONDACK CHAIR W/BUILD-IN OTTOMAN)

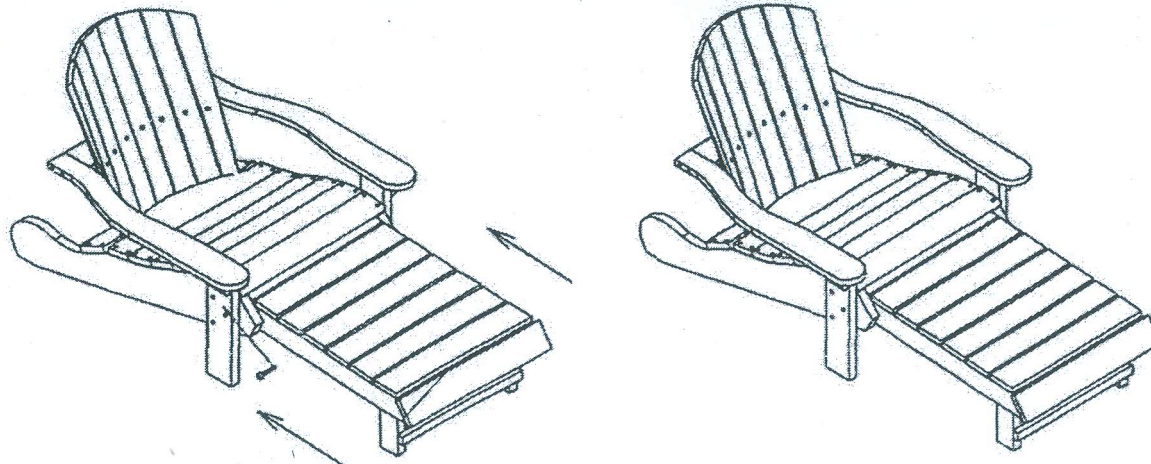
STEP 1



STEP 2



STEP 3



TIPS/Steps for Easy Set-Up:

Assemble Chairs on their Sides on a soft surface area to protect.

Step # 1. Attach upright Arm units with (3 screws) on each side.

Step # 2. Set seat unit upright and then attach the back unit, but do NOT tighten the screws all the way until after next step

Step # 2A. Attach arm units and align first with back unit before tightening screws.

Step # 2B. Do not miss the last screws under each arm unit...

Never Over-Tighten any screws with key wrench. Use care in pulling the Ottoman unit in and out.

Tighten legs to ottoman if too loose.

Finally, Please Oil your new Adirondack Chair With a Linseed Oil or Hardwood oil. Do not oil in Direct Sunlight and allow to dry for 24 hours in the Shade. Enjoy!

PARTS LIST

A



Screw M7 x 40 [1.5"] 12 pcs

B



Key Wrench (1 pcs)

C



Screw M7 x 90 [3.5"] 4 pcs