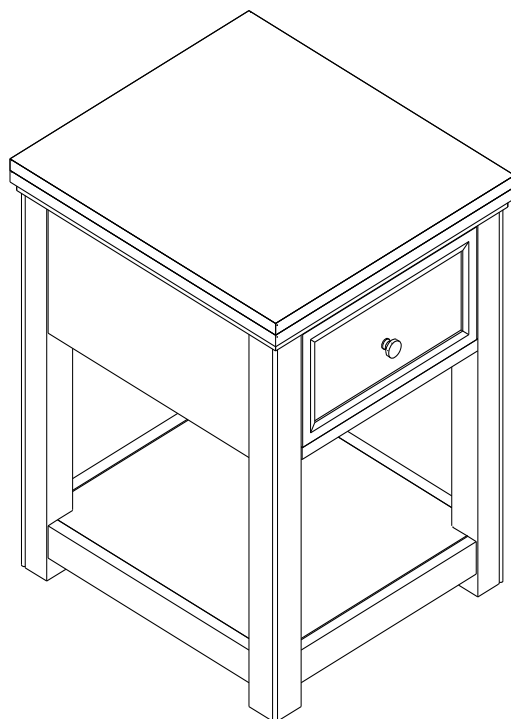


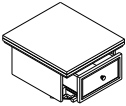

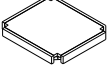





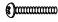
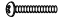
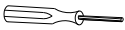
Painted Farmhouse End Table - OTNQ1 & OTNQ2

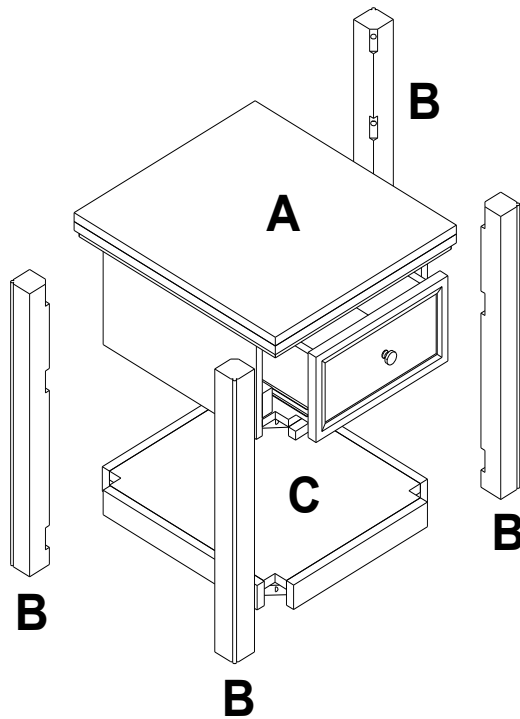


Thank you for purchasing our 1 Drawer End Table. Assembly of this product requires a phillips screwdriver. It is helpful to have a second person available during the assembly of this product.

Lay out parts on a non-abrasive surface to avoid scratching finish.

NO.	DRAWING	DESCRIPTION	QTY.
A		TOP	1
B		POST	4
C		BOTTOM	1

NO.	DRAWING	DESCRIPTION	QTY
D		M6*45MM BOLT	12
E		METAL KNOB	1
F		WOOD KNOB	1
G		KNOB SCREW-M	1
H		KNOB SCREW-W	1
I		WRENCH	1



STEP 1

Identify and count all parts using diagram above.

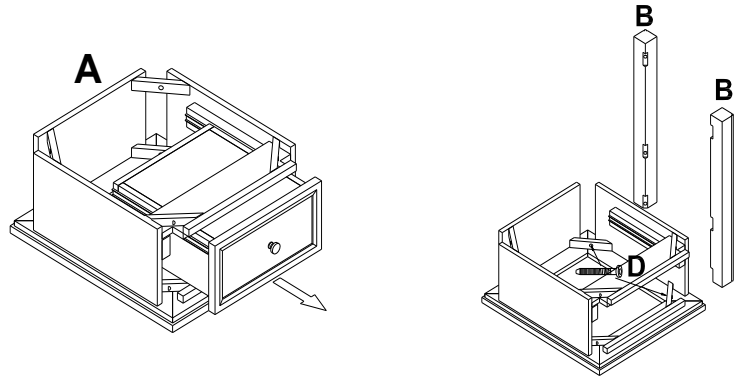
STEP 2

Identify and count hardware.

STEP 3

Remove Drawer from Top Assembly. Lay Top Assembly (A) upside down on non-abrasive surface. Attach 2 Post (B) using 4 M6 * 45MM Bolts (D). Use Wrench (I) to install Bolts.

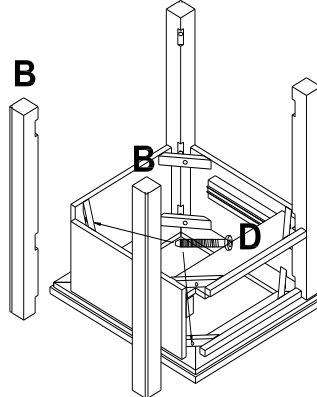
Do not over tighten Bolts at this time. Assemble Loose.



STEP 4

Attach 2 additional Post (B) using 4 M6 * 45MM Bolts (D). Use Wrench (I) to install Bolts.

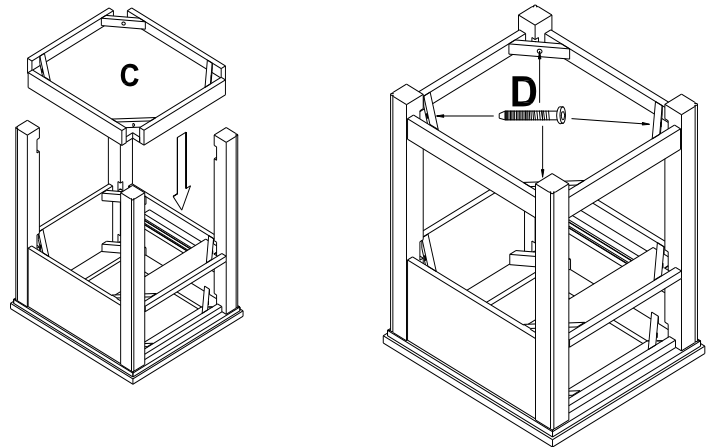
Do not over tighten Bolts at this time. Assemble Loose.



STEP 5

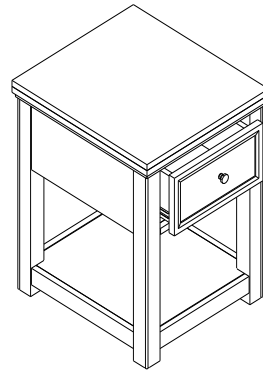
Position Bottom Panel (C) between the 4 Post (B). Attach bottom panel to Post using 4 M6 * 45MM Bolts (D). Use Wrench (I) to install and tighten all Bolts.

At this point tighten all assembly Bolts.



STEP 6

Position assembled case upright. Insert the Drawer in to the Top Assembly. Attached Metal Knob (E) or Wood Knob (F) using Knob Screw (G).



CARE: Clean with mild soap and wipe dry.



www.llbean.com

Product Support 1 800 341 4341